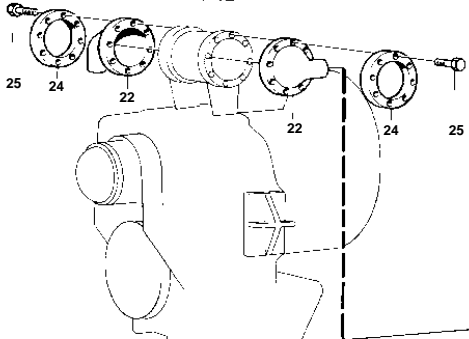
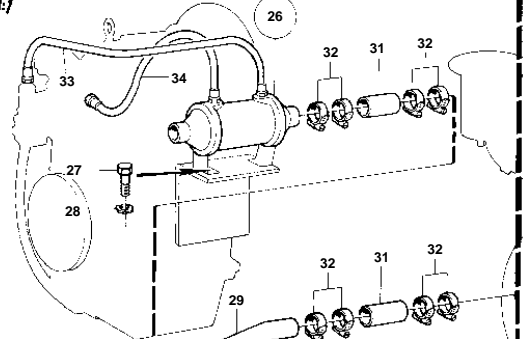


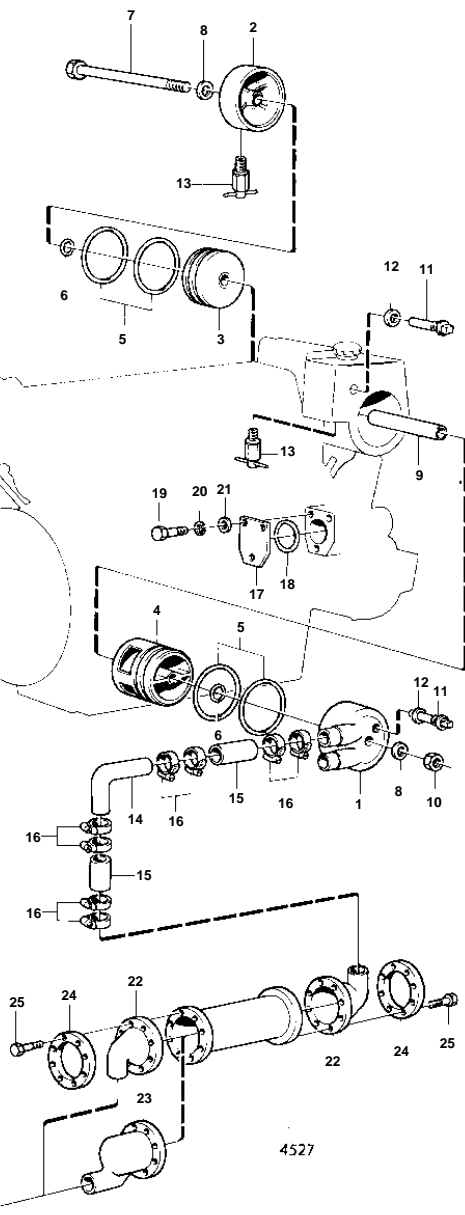
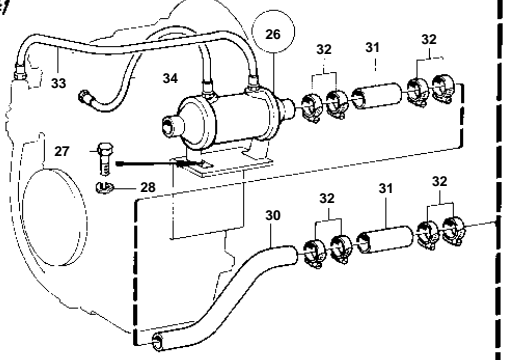
SCG MRF 350
SCG MRF 700
SCG MRF 700 LR MK III



TWIN DISC MG 509
UTV 3:1



TWIN DISC MG 509
UTV 4.5:1



REF	PART NO.	QTY	DESCRIPTION	NOTES
1	820736	1	End cover	
2	820715	1	End plate	
3	820734	1	End cover	
4	820733	1	End cover	
5	400797	4	O-ring	
6	925057	2	Rubber ring	
7	820719	1	Screw	
8	11996	2	Gasket	
9	820735	1	Tube	
10	942297	1	Nut	
11	823661	4	Zinc electrode	(823660)
12	836169	4	Gasket	
13	82744	2	Tap	
14	820844	1	Tube	
15	943372	X	Rubber hose	L = 110 MM
16	943479	8	Hose clamp	(951795)
17	420178	1	Cover	
18	413619	1	Gasket	
19	955576	3	Screw	
20	941911	3	Spring washer	
21	955899	3	Washer	
22	820631	2	Cover	FOR REVERSE GEAR VOLVO PENTA.
	823803	2	End plate	BB115B, BB115C, MB20B, MB20C, MD21A, MD21B.
	823803	1	End plate	LATE TYPE. BB115B, BB115C, MB20B, MB20C, MD21A, MD21B.
23	824454	1	End cover	LATE TYPE. BB115B, BB115C, MB20B, MB20C, MD21A, MD21B.
24	821074	2	Clamping ring	FOR REVERSE GEAR VOLVO PENTA.
	823802	2	Clamping ring	BB115B, BB115C, MB20B, MB20C, MD21A, MD21B.
	823802	1	Clamping ring	LATE TYPE. BB115B, BB115C, MB20B, MB20C, MD21A, MD21B.
25	955514	16	Screw	
26	837099	1	Oil cooler	
			COMPONENTS	SEE GROUP 4A
27	940098	4	Screw	
28	942336	4	Spring washer	
29	837109	1	Tube	
30	837117	1	Tube	
31	943372	X	Rubber hose	L = 150 MM (952980)
32	943479	8	Hose clamp	(951795)
33	837095	1	Hose	L = 695 MM
34	837119	1	Hose	L = 600 MM